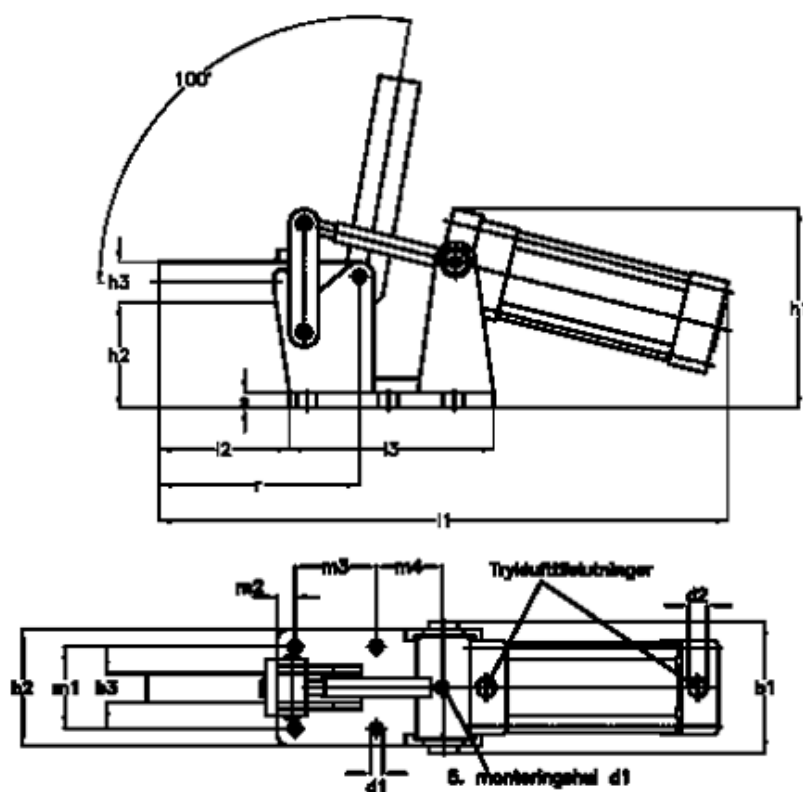


Article number: 208611000EPM

Description: E+G Klee pneumatically operated clamp  
GN 861-1000-EP-M

## Measures



b1	= 102	h3	= 25	m3	= 65
b2	= 90	Holding force N	= 10000	m4	= 48
b3	= 20	Hose connector	= 8	r	= 140
Clamping force at 6 bar	= 2500	l1	= 410	s	= 13
d1	= 10.5	l2	= 90	Size	= 1000
d2	= G 1/4	l3	= 155		
h1	= 145	m1	= 65		
h2	= 80	m2	= 12.5		